



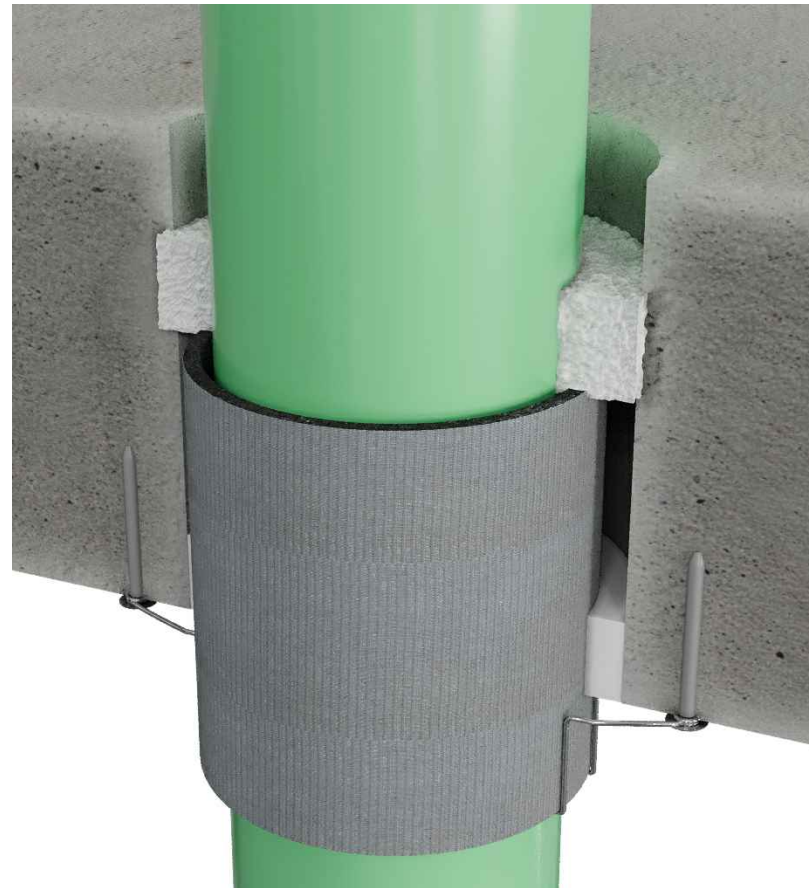
# FIRESTOP CENTRE

Authorised New Zealand Distributor  
Ph (09) 483 4000 www.firestopcentre.co.nz

## AGNI-Sleeve in 120mm Concrete Floor/Ceiling 40-90mm PPR Pipe, Bottom Fix FRR -/120/120

### Step-by-step installation instructions:

1. Ensure the aperture is free from dust and debris.
2. Cut 125mm wide AGNI-Sleeve.
3. Secure around the pipe with no overlap using AGNI-Strap (optional).
4. Insert 10mm ceramic fibre into the annular space.
5. Insert AGNI-Sleeve into the annular space by 100mm, pushing ceramic fibre upward.
6. Seal the junction between AGNI-Sleeve and the separating element using AGNI-Seal.
7. Fix AGNI-Sleeve to the separating element with two AGNI-Clips and two masonry screws.



System ID# FC815



**Agnitek**  
FIRE RATED TECHNOLOGY

8 Clare St Bayswater  
VIC 3153, AUSTRALIA  
www.agnitek.com.au

### Technical Information

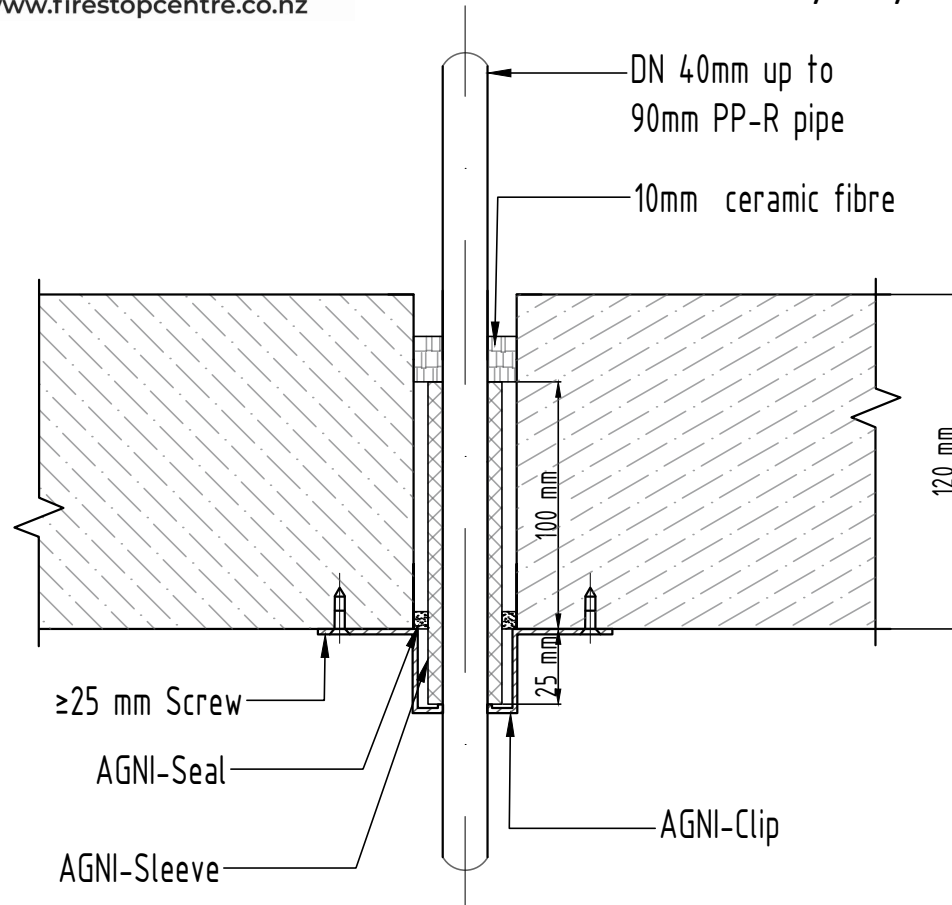
|                         |  |
|-------------------------|--|
| Substrate               | • Min. 120mm concrete floor/ceiling              |
| Service range           | DN 40mm up to 90mm PP-R pipe                     |
| Annular gap             | 5mm - 12mm                                       |
| AGNI-Products           | AGNI-Sleeve, AGNI-Clip, AGNI-Seal                |
| Protection installation | Asymmetrical (from below the floor/ceiling only) |

### Compliance Information

|           |                              |
|-----------|------------------------------|
| Standards | AS1530.4-2014, AS4072.1-2005 |
| FRR/FRL   | -/120/120                    |
| Reference | RIRF24070 (AP-068)           |
|           |                              |
|           |                              |

**Disclaimer**  
Agnitek reserves the right to modify product specifications without prior notice due to its ongoing research, development & certification programme. The information in this document is provided in good faith and is intended for guidance purposes only. Any accompanying drawings are solely for illustrative purposes. Since Agnitek cannot oversee installation methods or ensure site conditions, no warranties, expressed or implied, are intended regarding the products' actual performance. We do not accept liability for any loss, damage, or injury from using this information. Please take a look at the test reports displayed on a relevant AGNI-System webpage for all compliance specifics.

Date | 18.07.2024



System ID# FC815



**Agnitek**  
FIRE RATED TECHNOLOGY

8 Clare St Bayswater  
VIC 3153, AUSTRALIA  
www.agnitek.com.au

### Technical Information

|                         |  |
|-------------------------|--|
| Substrate               | • Min. 120mm concrete floor/ceiling              |
| Service range           | DN 40mm up to 90mm PP-R pipe                     |
| Annular gap             | 5mm - 12mm                                       |
| AGNI-Products           | AGNI-Sleeve, AGNI-Clip, AGNI-Seal                |
| Protection installation | Asymmetrical (from below the floor/ceiling only) |

### Compliance Information

|           |                              |
|-----------|------------------------------|
| Standards | AS1530.4-2014, AS4072.1-2005 |
| FRR/FRL   | -/120/120                    |
| Reference | PF24070                      |
|           |                              |
|           |                              |

**Disclaimer**  
Agnitek reserves the right to modify product specifications without prior notice due to its ongoing research, development & certification programme. The information in this document is provided in good faith and is intended for guidance purposes only. Any accompanying drawings are solely for illustrative purposes. Since Agnitek cannot oversee installation methods or ensure site conditions, no warranties, expressed or implied, are intended regarding the products' actual performance. We do not accept liability for any loss, damage, or injury from using this information. Please take a look at the test reports displayed on a relevant AGNI-System webpage for all compliance specifics.

Date 18.07.2024